

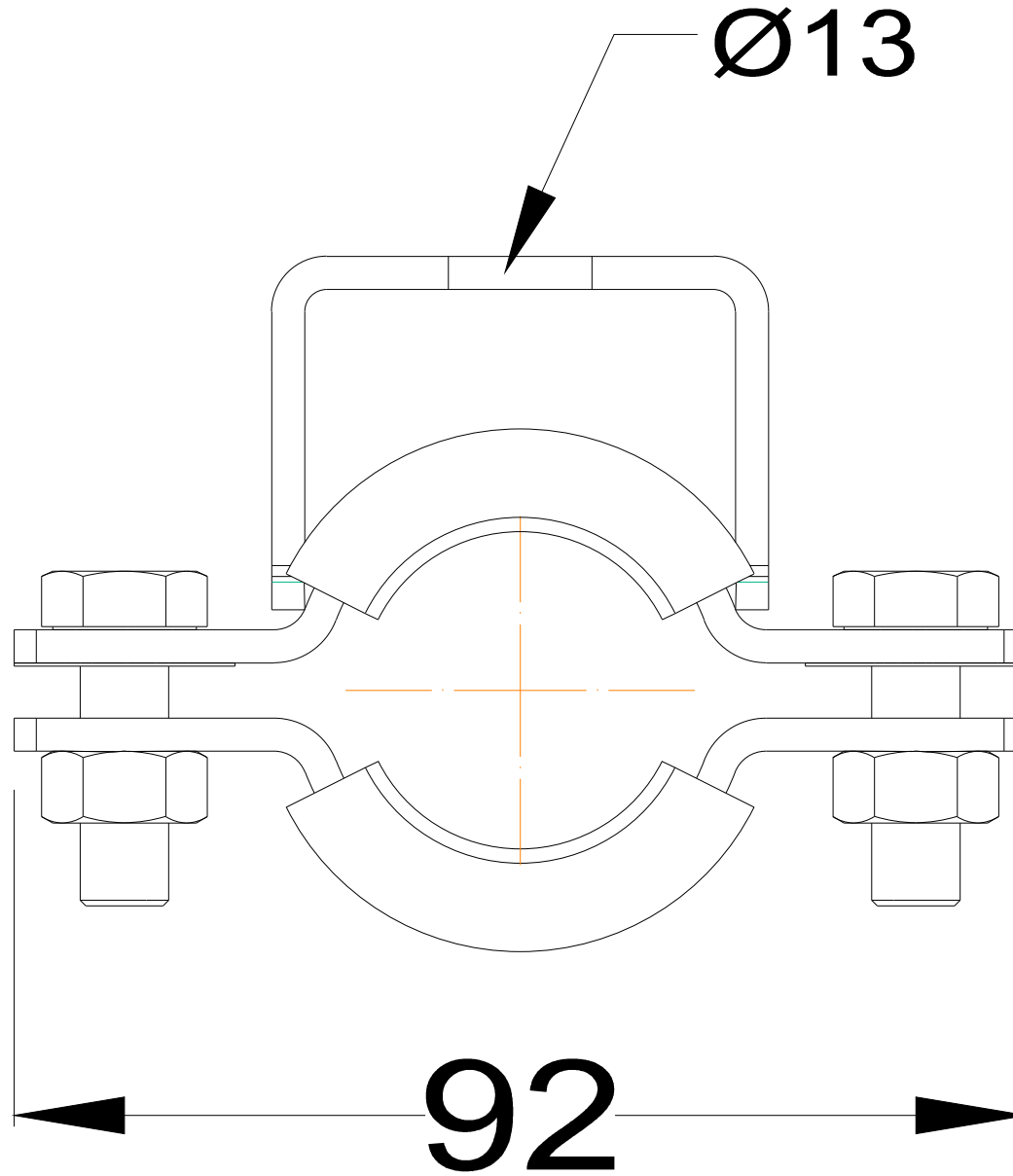




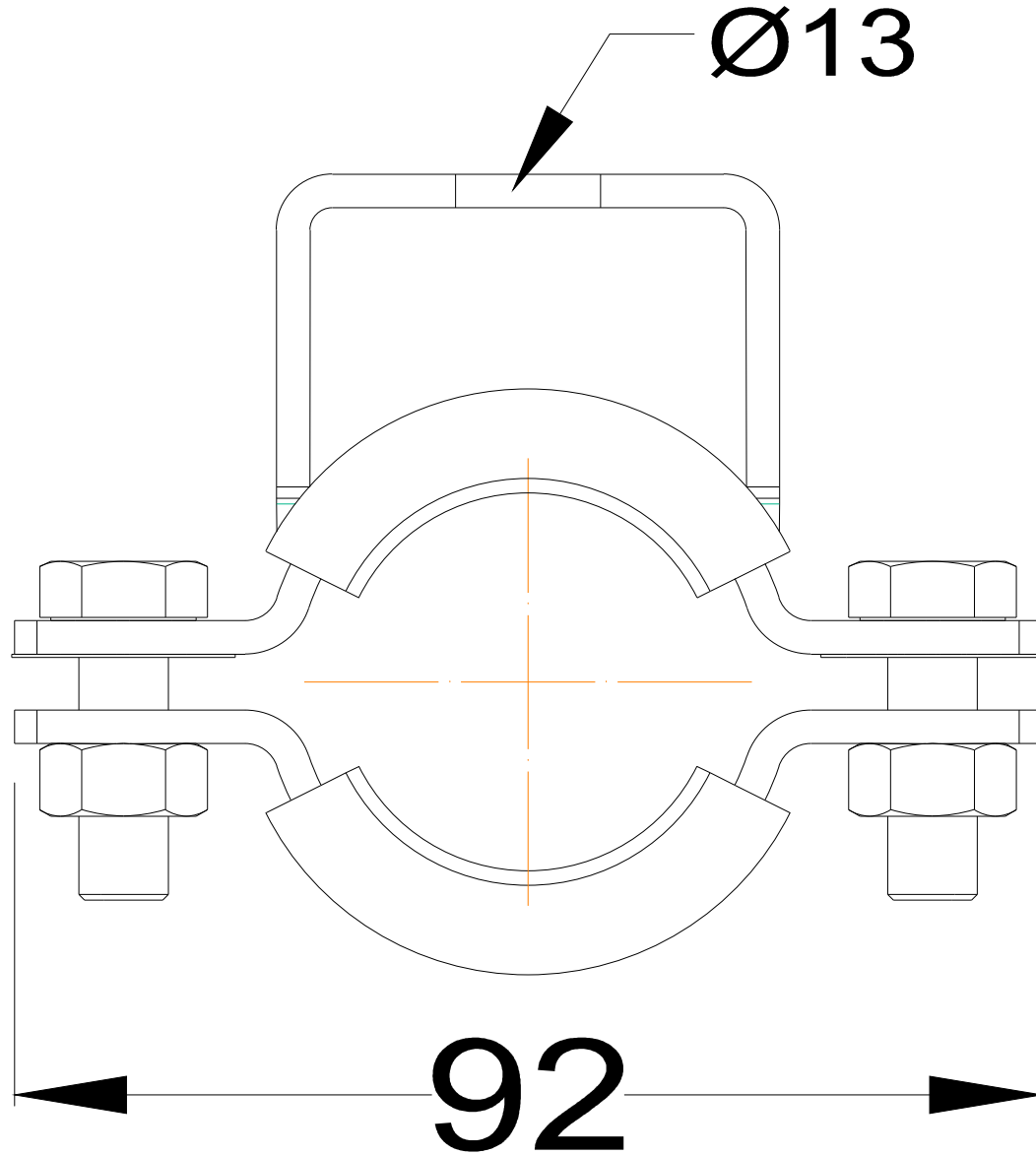
Boyutlar mm cinsindedir.
Dimensions are in mm.

| | İSM / NAME | TARİH / DATE | İMZA / SIGNATURE | ÖLÇEK / SCALE | FORMAT | CAD SİSTEMİ / CAD SYSTEMS |
|----------------------|-----------------|--------------|------------------|-------------------------------------------------------------------------------------------------------------------------------------------------------------------------------------------------------------------------------------------------|--------|---------------------------|
| ÇİZEN / DRAWING BY | ALI BEŞİKTAŞ | 08.05.2020 | | 1:1 | A3 | Cross Elements Direct |
| KONTROL / CHECKED BY | FUAT TOPGÜL | 08.05.2020 | | | | |
| YAYIN / PUBLISH BY | ALI KEMAL GİNEY | 08.05.2020 | | | | |
| | | | |  | | |
| | | | |  | | |
| | | | | LINK Yapı ve Tesisat Mat. San. ve Tic. Ltd. Şti. Gebze Organize Sanayi Bölgesi 1000. Sokak No: 1016 Çayyova / Kocaeli Tel : +90 262 677 14 51 Faks : +90 262 751 33 23 Web : www.linkyapi.com.tr / E-mail : info@linkyapi.com.tr | | |
| | | | | 1/2" (20-26) - DN15-SDNA.2070 SDNA AĞIR YÜK KELEPÇESİ SDNA HEAVY DUTY CLAMP | | SHEET 1 |




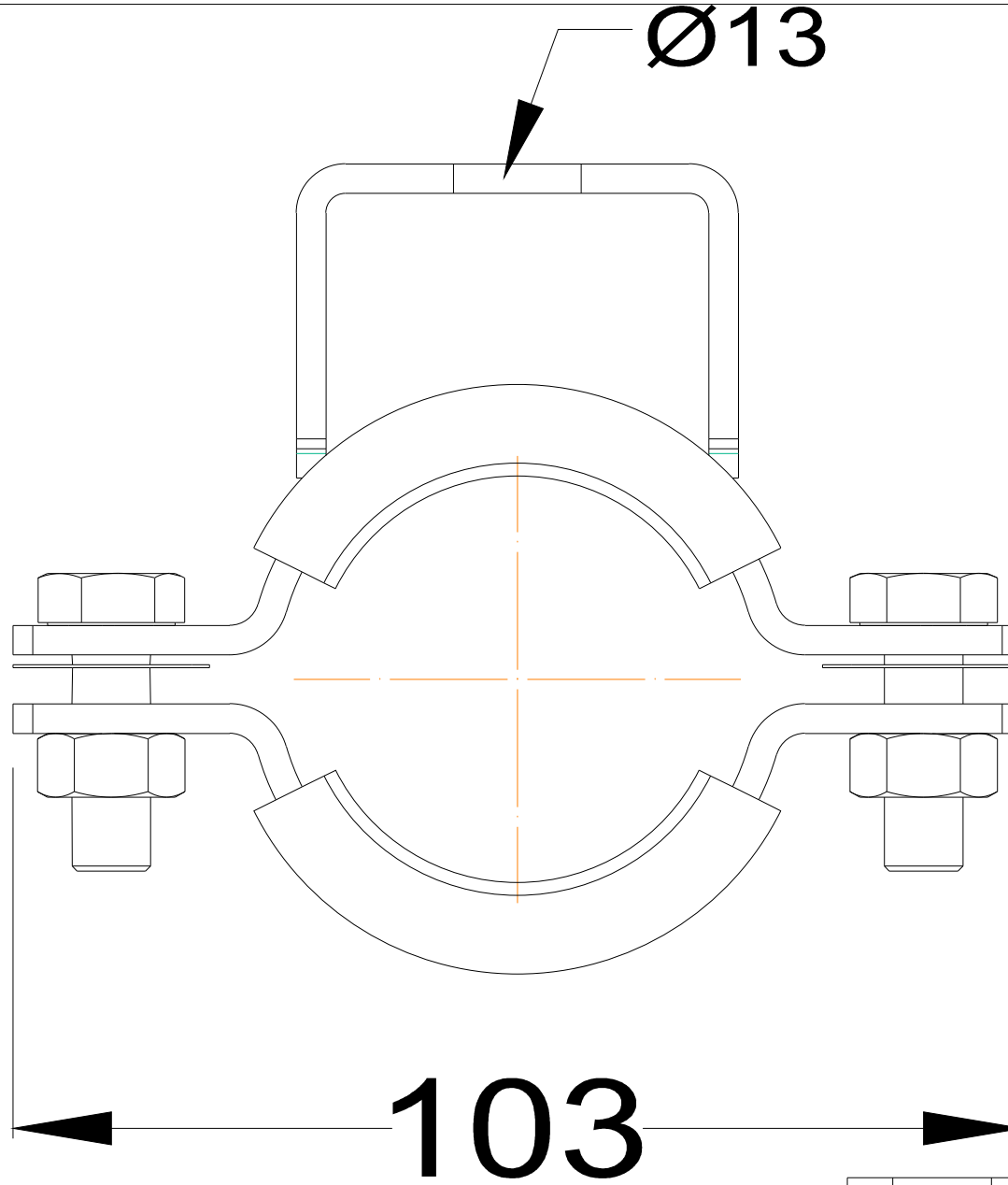
Boyutlar mm cinsindedir.
Dimensions are in mm.

| | İSM / NAME | TARİH / DATE | İMZA / SIGNATURE | OLÇEK / SCALE | FORMAT | CAD SİSTEMİ / CAD SYSTEMS |
|----------------------|-----------------|--------------|------------------|---------------------------------------------------------------------------------------------------------------------------------------------------------------------------------------------------------------------------------------------------|--------|---------------------------|
| ÇİZEN / DRAWN BY | ALİ BEŞİKTAŞ | 08.05.2020 | | 1:1 | A3 | Cross Elements Direct |
| KONTROL / CHECKED BY | FLUAT TOPGÜL | 08.05.2020 | | | | |
| YAK. / APPROVED BY | ALİ KEMAL GİNEY | 08.05.2020 | | | | |
| | | | |  | | |
| | | | |  | | |
| | | | | LINK Yapı ve Tesisat Malz. San. ve Tic. Ltd. Şti. Gebze Organize Sanayi Bölgesi 1000. Sokak No: 11116 Çayyova / Kocaeli Tel : +90 262 677 14 51 Faks : +90 262 751 33 23 Web : www.linkyapi.com.tr / E-mail : info@linkyapi.com.tr | | |
| | | | | 3/4" (25-32) - DN20-SDNA.2080 SDNA AĞIR YÜK KELEPÇESİ SDNA HEAVY DUTY CLAMP | | SHEET 1 |




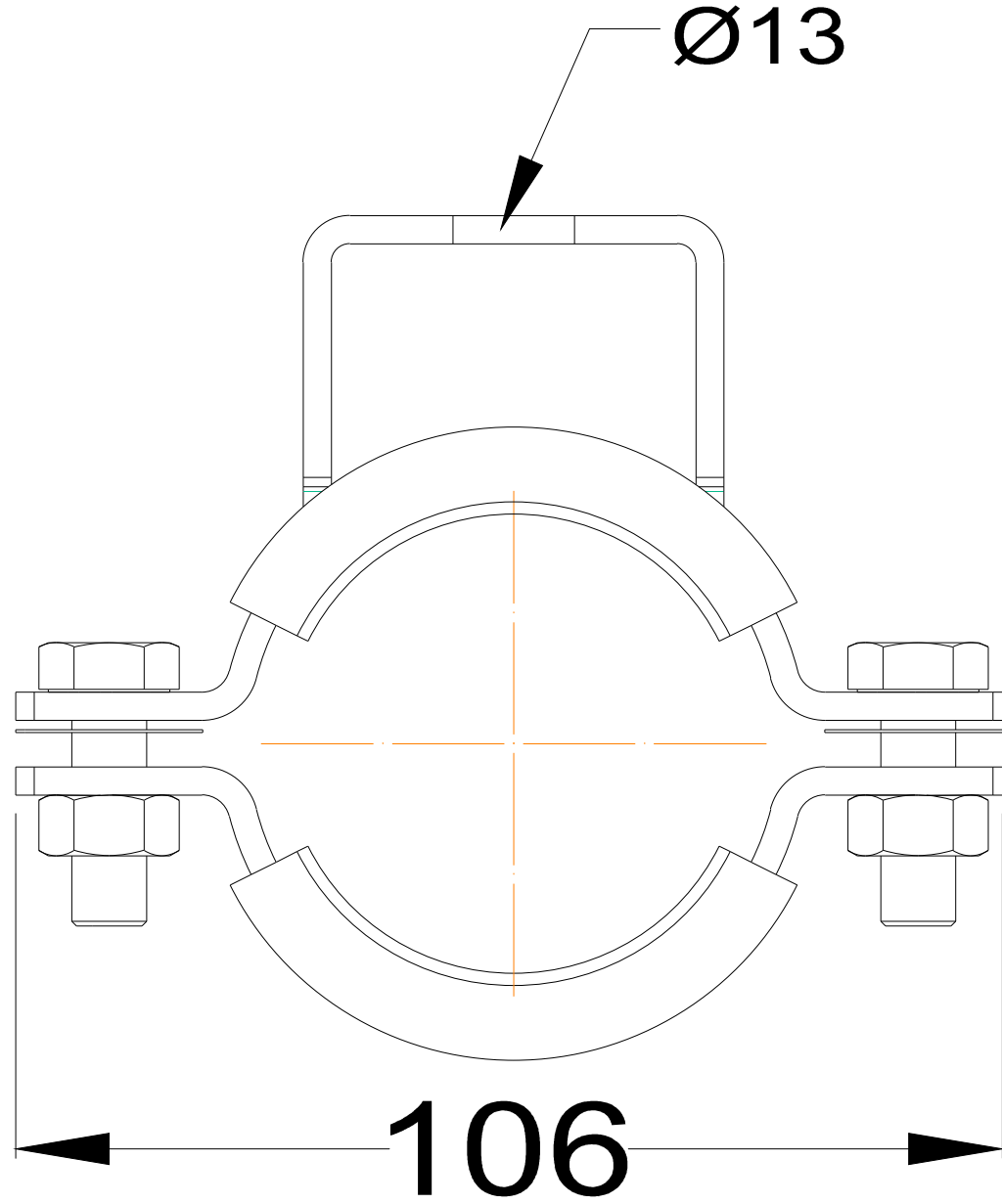
Boyutlar mm cinsindedir.
Dimensions are in mm.

| | İSM / NAME | TARİH / DATE | İMZA / SIGNATURE | ÖLÇEK / SCALE | FORMAT | CAD SİSTEMİ / CAD SYSTEMS |
|----------------------|-----------------|--------------|------------------|-----------------------------------------------------------------------------------------------------------------------------------------------------------------------------------------------------------------------------------------------------------------------------------------------------------------------------------------|--------|---------------------------|
| ÇİZEN / DRAWN BY | ALİ BEŞİKTAŞ | 08.05.2020 | | 1:1 | A3 | Cross Elements Direct |
| KONTROL / CHECKED BY | FLUAT TOPGÜL | 08.05.2020 | | | | |
| YAYIN / PUBLISH BY | ALİ KEMAL GİNEY | 08.05.2020 | | | | |
| | | | |  LINK Yapı ve Tesiât Malz. San. ve Tic. Ltd. Şti. Gebze Organize Sanayi Bölgesi 1000. Sokak No: 11116 Çayirova / Kocaeli Tel : +90 262 677 14 51 Faks : +90 262 751 33 23 Web : www.linkyapi.com.tr / E-mail : info@linkyapi.com.tr | | |
| | | | | 1" (32-39) - DN25-SDNA.2081 SDNA AĞIR YÜK KELEPÇESİ SDNA HEAVY DUTY CLAMP | | SHEET 1 |





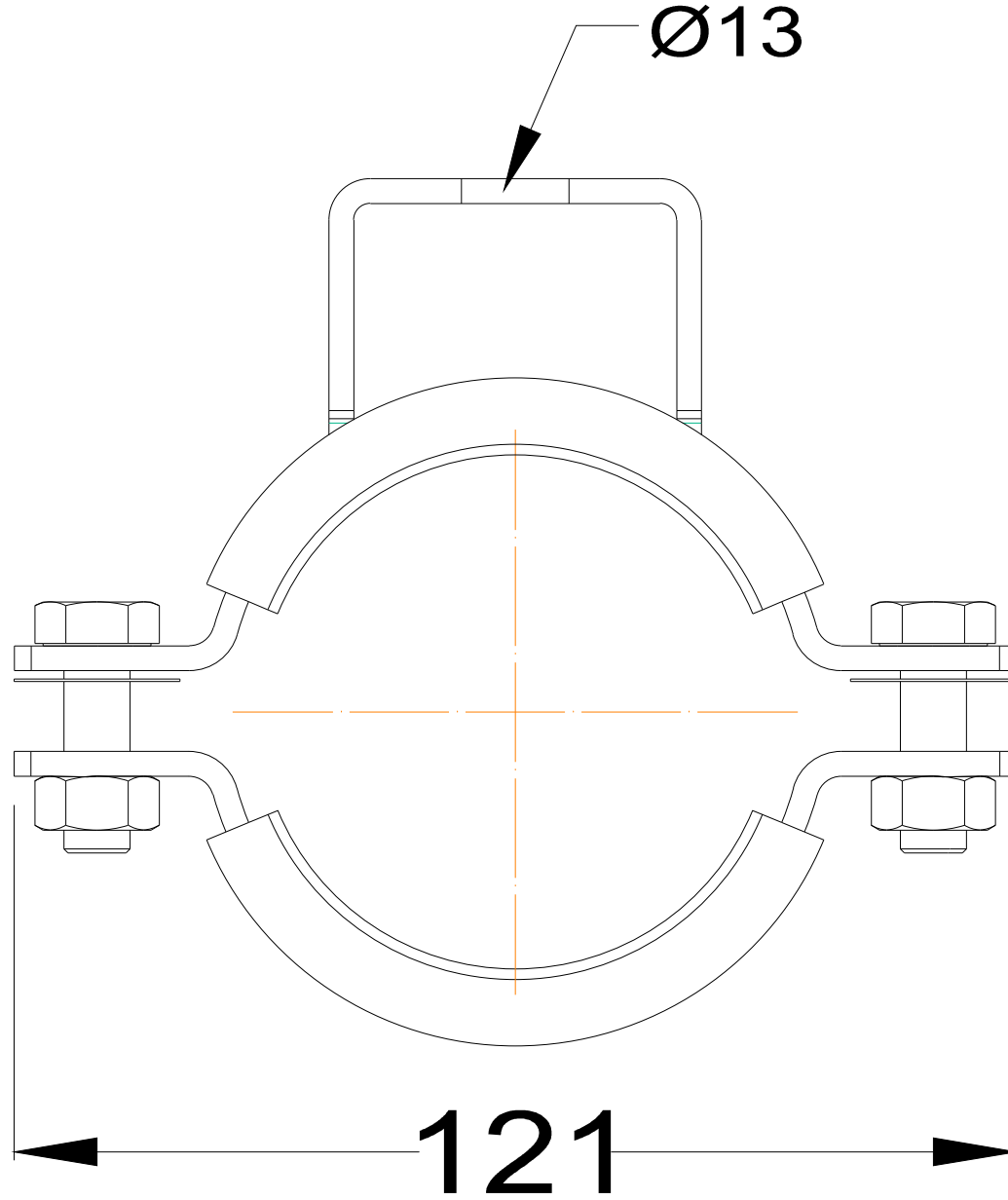
Boyutlar mm cinsindedir.
Dimensions are in mm.

| İSİM / NAME | TARİH / DATE | İMZA / SIGNATURE | ÖLÇEK / SCALE | FORMAT | CAD SİSTEMİ / CAD SYSTEMS |
|-------------------------------------------------------------------------------------|-----------------|------------------|-----------------------------------------------------------------------------------------------------------------------------------------------------------------------------------------------------------------------------------------------------------------------------------------------------------------------------------------------------|--------|---------------------------|
| ÇİZİM / DRAWING | ALİ BEŞİKTAŞ | 08.05.2020 | 1:1 | A3 | Cross Elements Direct |
| KONTROL / CHECKED BY | FLUAT TOPGÜL | 08.05.2020 | | | |
| YAYIN / PUBLISH BY | ALİ KEMAL GİNEY | 08.05.2020 | | | |
| | | |  <p>LINK Yapı ve Tesilat Matl. San. ve Tic. Ltd. Şti. Gebze Organize Sanayi Bölgesi 1000. Sokak No: 11116 Çayyova / Kocaeli Tel : +90 262 677 14 51 Faks : +90 262 751 33 23 Web : www.linkyapi.com.tr / E-mail : info@linkyapi.com.tr</p> | | |
| 1 / 1* (40-47) - DN32-SDNA.2082 SDNA AĞIR YÜK KELEPÇESİ SDNA HEAVY DUTY CLAMP | | | | | SHEET 1 |




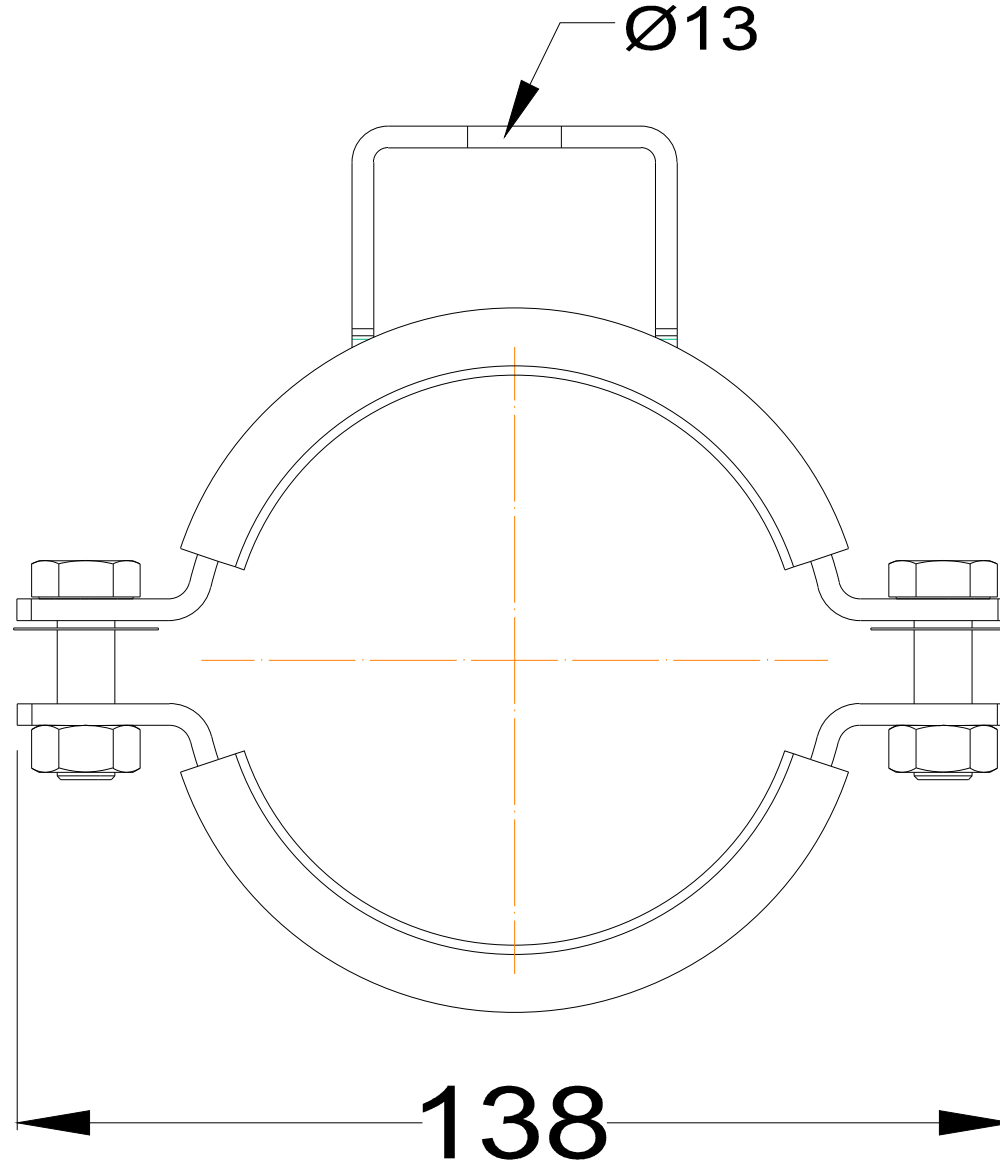
Boyutlar mm cinsindedir.
Dimensions are in mm.

| | İSM / NAME | TARİH / DATE | İMZA / SIGNATURE | ÖLÇEK / SCALE | FORMAT | CAD SİSTEMİ / CAD SYSTEMS |
|----------------------|-----------------|--------------|------------------|--------------------------------------------------------------------------------------------------------------------------------------------------------------------------------------------------------------------------------------------------|--------|---------------------------|
| ÇİZEN / DRAWING BY | ALİ BEŞİKTAŞ | 08.05.2020 | | 1:1 | A3 | Cross Elements Direct |
| KONTROL / CHECKED BY | FLUAT TOPGÜL | 08.05.2020 | | | | |
| YAYIN / PUBLISH BY | ALİ KEMAL GİNEY | 08.05.2020 | | | | |
| | | | |  | | |
| | | | |  | | |
| | | | | LINK Yapı ve Tesisat Malz. San. ve Tic. Ltd. Şti. Gebze Organize Sanayi Bölgesi 1000, Söğüt No: 1016 Çayyova / Kocaeli Tel : +90 262 677 14 51 Faks : +90 262 751 33 23 Web : www.linkyapi.com.tr / E-mail : info@linkyapi.com.tr | | |
| | | | | 1 / 2" (48-54) - DN40-SDNA.2083 SDNA AĞIR YÜK KELEPÇESİ SDNA HEAVY DUTY CLAMP | | SHEET 1 |





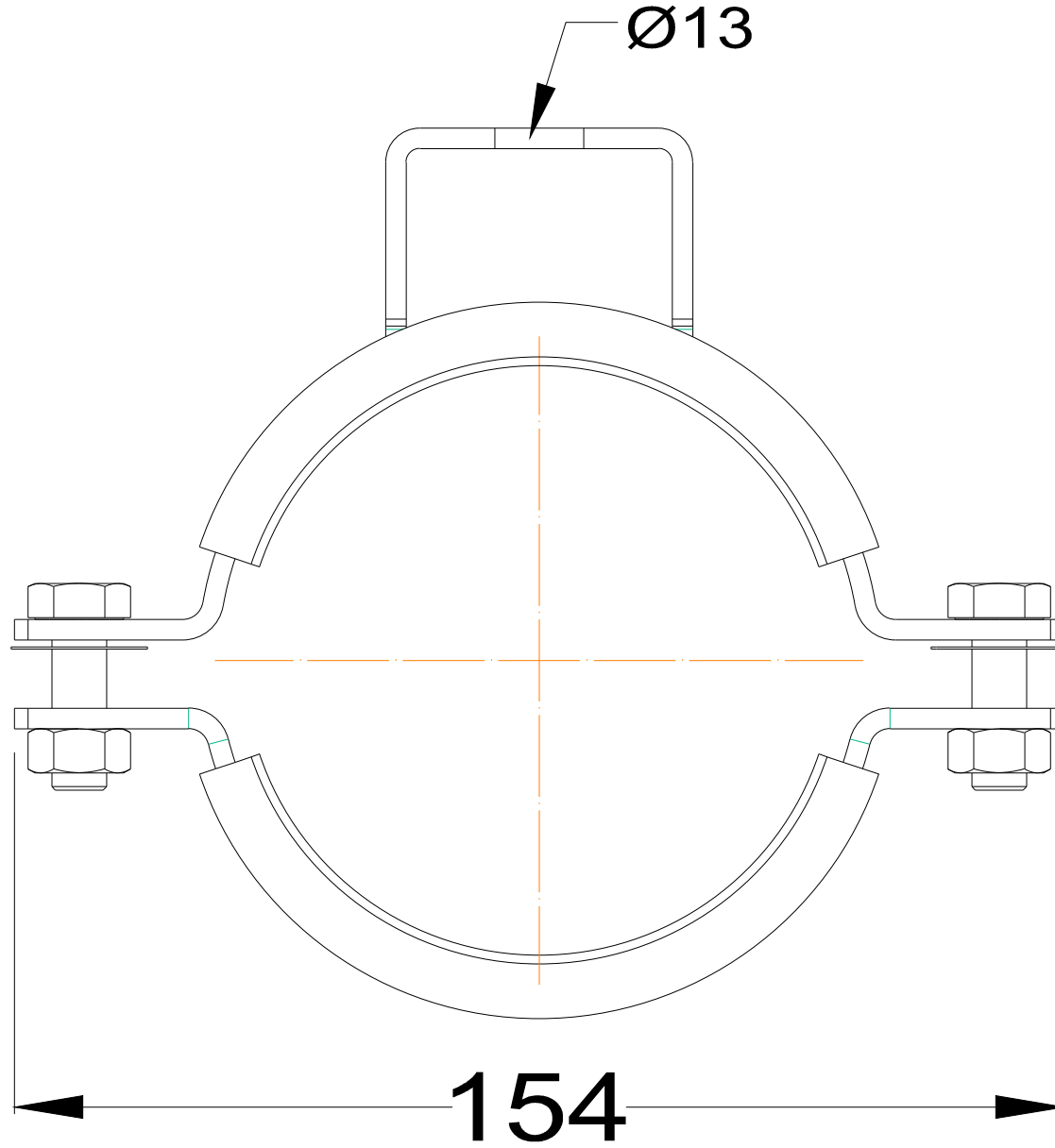
Boyutlar mm cinsindedir.
Dimensions are in mm.

| İSM / NAME | TARİH / DATE | İMZA / SIGNATURE | ÖLÇEK / SCALE | FORMAT | CAD SİSTEMİ / CAD SYSTEMS |
|--------------------------------------|--------------|------------------|----------------------------------------------------------------------------------------------------------------------------------------------------------------------------------------------------------------------------------------------------------------------------------------------------------------------------------------------------|--------|---------------------------|
| ÇİZEN / DRAWN BY ALİ BEŞİKTAŞ | 08.05.2020 | | 1:1 | A3 | Cross Elements Direct |
| KONTROL ÇİZİLEN BY FUAT TOPGÜL | 08.05.2020 | | | | |
| YAYIN YAPAN BY ALİ KEMAL GİNEY | 08.05.2020 | | | | |
| | | |  <p>LINK Yapı ve Tesisat Malz. San. ve Tic. Ltd. Şti. Gebze Organize Sanayi Bölgesi 1090. Sokak No: 1016 Çayyova / Kocaeli Tel : +90 262 677 14 51 Faks : +90 262 751 33 23 Web : www.linkyapi.com.tr / E-mail : info@linkyapi.com.tr</p> | | |
| | | | <p>2" (57-64) - DN50-SDNA.2084 SDNA AĞIR YÜK KELEPÇESİ SDNA HEAVY DUTY CLAMP</p> | | <p>SHEET 1</p> |



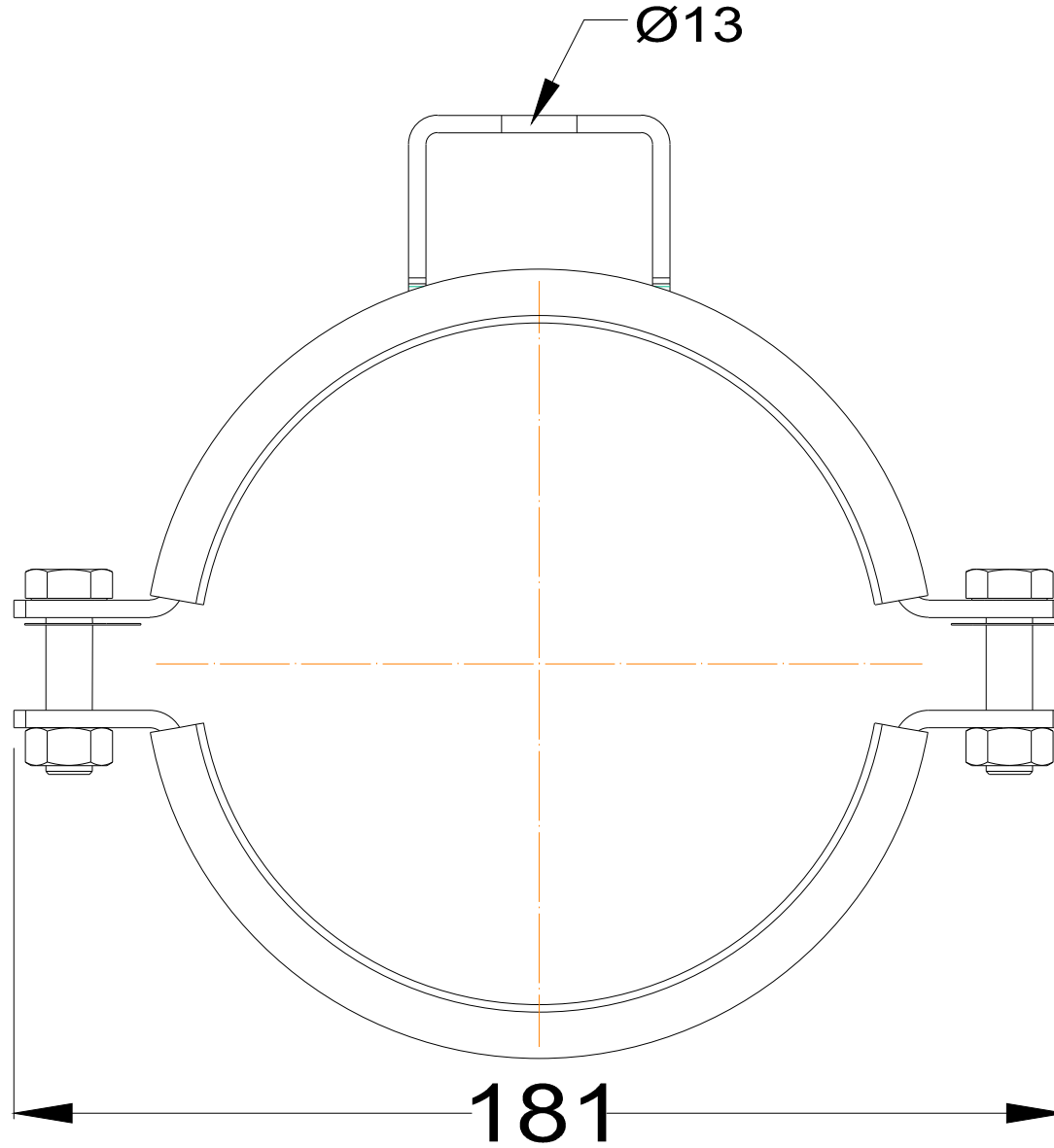
Boyutlar mm cinsindedir.
Dimensions are in mm.

| | İSM / NAME | TARİH / DATE | İMZA / SIGNATURE | ÖLÇEK / SCALE | FORMAT | CAD SİSTEMİ / CAD SYSTEMS |
|----------------------|-----------------|--------------|------------------|--------------------------------------------------------------------------------------------------------------------------------------------------------------------------------------------------------------------------------------------------|--------|---------------------------|
| ÇİZEN / DRAWING BY | ALİ BEŞİKTAŞ | 08.05.2020 | | 1:1 | A3 | Cross Elements Direct |
| KONTROL / CHECKED BY | FLUAT TOPGÜL | 08.05.2020 | | | | |
| YAYIN / PUBLISH BY | ALİ KEMAL GİNEY | 08.05.2020 | | | | |
| | | | |  | | |
| | | | |  | | |
| | | | | LINK Yapı ve Tesisat Malz. San. ve Tic. Ltd. Şti. Gebze Organize Sanayi Bölgesi 1000. Sokak No: 1016 Çayyova / Kocaeli Tel : +90 262 677 14 51 Faks : +90 262 751 33 23 Web : www.linkyapi.com.tr / E-mail : info@linkyapi.com.tr | | |
| | | | | 2 1/2" (72-80) - DN65-SDNA.2085 SDNA AĞIR YÜK KELEPÇESİ SDNA HEAVY DUTY CLAMP | | SHEET 1 |




Boyutlar mm cinsindedir.
Dimensions are in mm.

| İSİM / NAME | TARİH / DATE | İMZA / SIGNATURE | ÖLÇEK / SCALE | FORMAT | CAD SİSTEMİ / CAD SYSTEMS |
|---------------------------------------------------------------------------------|-----------------|------------------|-----------------------------------------------------------------------------------------------------------------------------------------------------------------------------------------------------------------------------------------------------------------------------------------------------------------------------------------|--------|---------------------------|
| ÇİZİM / DRAWING BY | ALI BİŞİKTAŞ | 08.05.2020 | 1:1 | A3 | Cross Elements Direct |
| KONTROL / CHECKED BY | FLUAT TOPGÜL | 08.05.2020 | | | |
| YAYIN / PUBLISH BY | ALI KEMAL GİNEY | 08.05.2020 | | | |
| | | |  LINK Yapı ve Tesisat Malz. San. ve Tic. Ltd. Şti. Gebze Organize Sanayi Bölgesi 1000. Sokak No: 1016 Çayirova / Kocaeli Tel : +90 262 677 14 51 Faks : +90 262 751 33 23 Web : www.linkyapi.com.tr / E-mail : info@linkyapi.com.tr | | |
| 3" (88-92) - DN80-SDNA.2086 SDNA AĞIR YÜK KELEPÇESİ SDNA HEAVY DUTY CLAMP | | | | | SHEET 1 |



Boyutlar mm cinsindedir.
Dimensions are in mm.

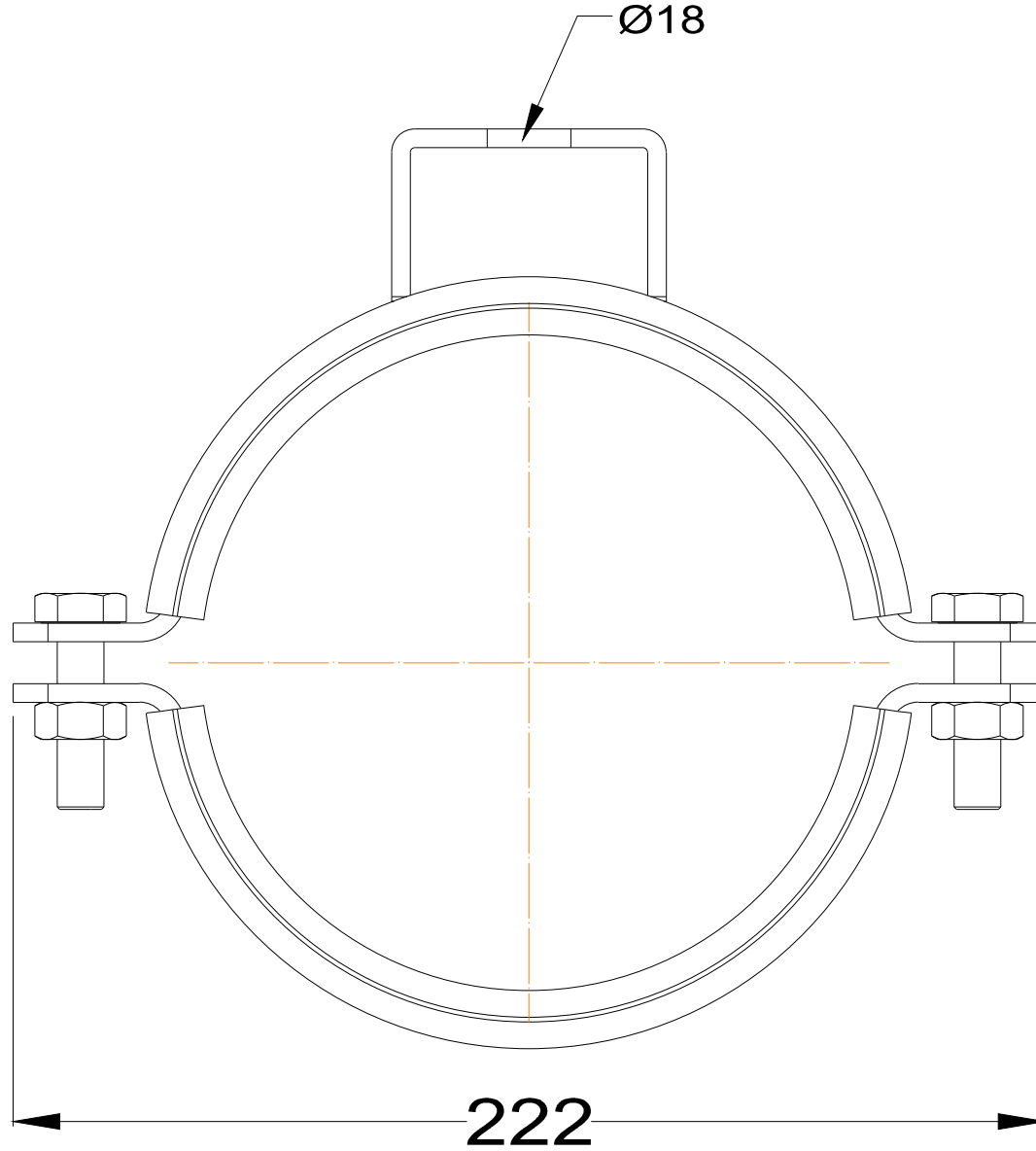
| İSM / NAME | TARİH / DATE | İMZA / SIGNATURE | ÖLÇEK / SCALE | FORMAT | CAD SİSTEMİ / CAD SYSTEMS |
|----------------------|-----------------|------------------|---------------|--------|---------------------------|
| ÇİZEN / DRAWING BY | ALI BEŞİKTAŞ | 08.05.2020 | 1:1 | A3 | Cross Elements Direct |
| KONTROL / CHECKED BY | FLUAT TOPGÜL | 08.05.2020 | | | |
| YAK. / APPROVED BY | ALI KEMAL GİNEY | 08.05.2020 | | | |



LINK
 Yapı ve Tesisat Malz. San. ve Tic. Ltd. Şti.
 Gebze Organize Sanayi Bölgesi 1000. Sokak No: 1016 Çayyova / Kocaeli
 Tel : +90 262 677 14 51
 Faks : +90 262 751 33 23
 Web : www.linkyapi.com.tr / E-mail : info@linkyapi.com.tr

4" (112-118) - DN100-SDNA.2087
 SDNA AĞIR YÜK KELEPÇESİ
 SDNA HEAVY DUTY CLAMP

SHEET
 1



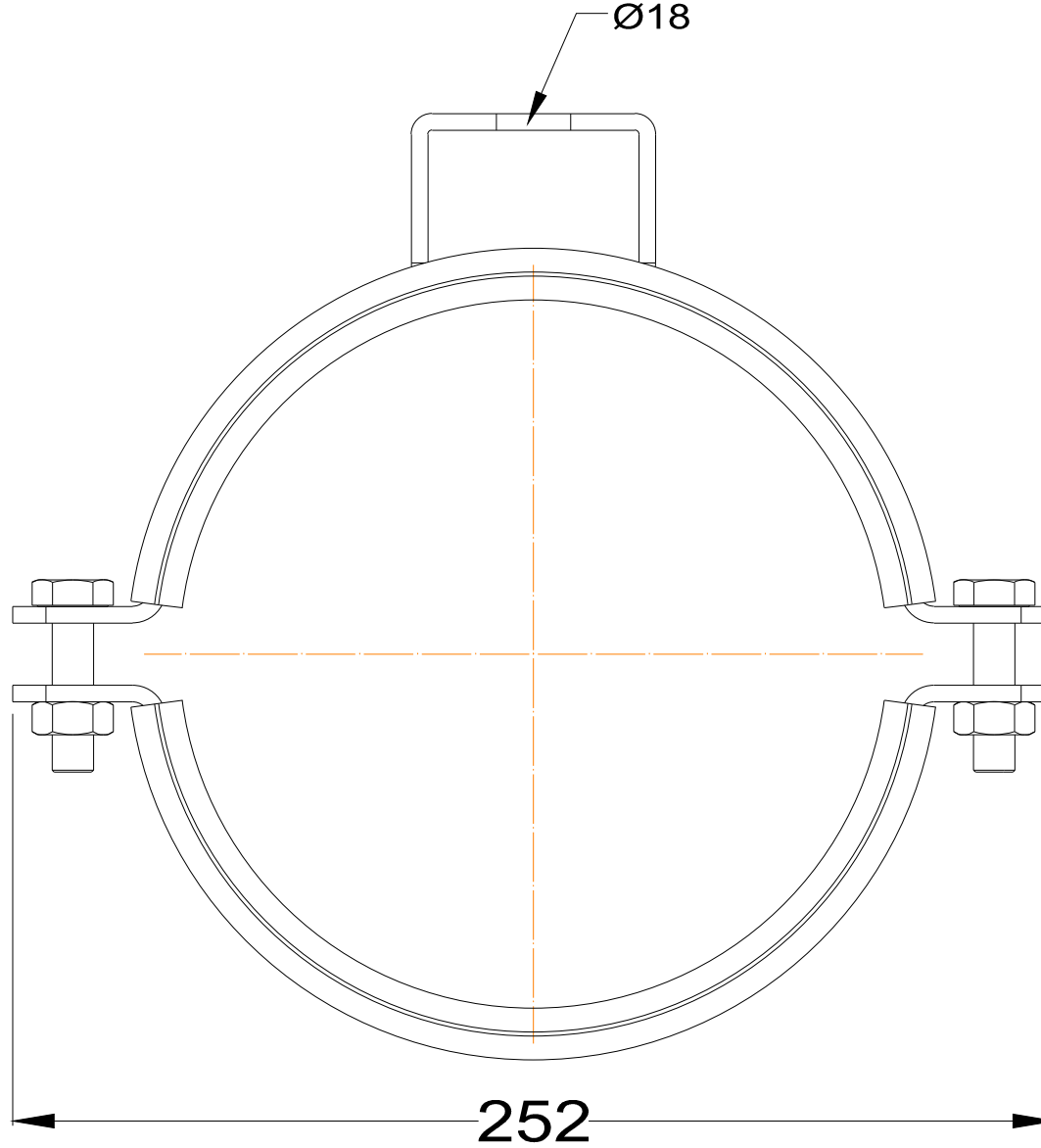
Boyutlar mm cinsindedir.
Dimensions are in mm.

| İSM / NAME | TARİH / DATE | İMZA / SIGNATURE | ÖLÇEK / SCALE | FORMAT | CAD SİSTEMİ / CAD SYSTEMS |
|----------------------|-----------------|------------------|---------------|--------|---------------------------|
| ÇİZEN / DRAWN BY | ALI BEŞİKTAŞ | 08.05.2020 | 1:1 | A3 | Cross Elements Direct |
| KONTROL / CHECKED BY | FLUAT TOPGÜL | 08.05.2020 | | | |
| YAYIN / PUBLISH BY | ALI KEMAL GİNEY | 08.05.2020 | | | |

LINK
Yapı ve Tesisat Malz. San. ve Tic. Ltd. Şti.
Gebze Organize Sanayi Bölgesi 1000. Sokak No: 1016 Çayirova / Kocaeli
Tel : +90 262 677 14 51
Faks : +90 262 751 33 23
Web : www.linkyapi.com.tr / E-mail : info@linkyapi.com.tr

5" (137-147) - DN125-SDNA.2088
SDNA AĞIR YÜK KELEPÇESİ
SDNA HEAVY DUTY CLAMP

SHEET
1



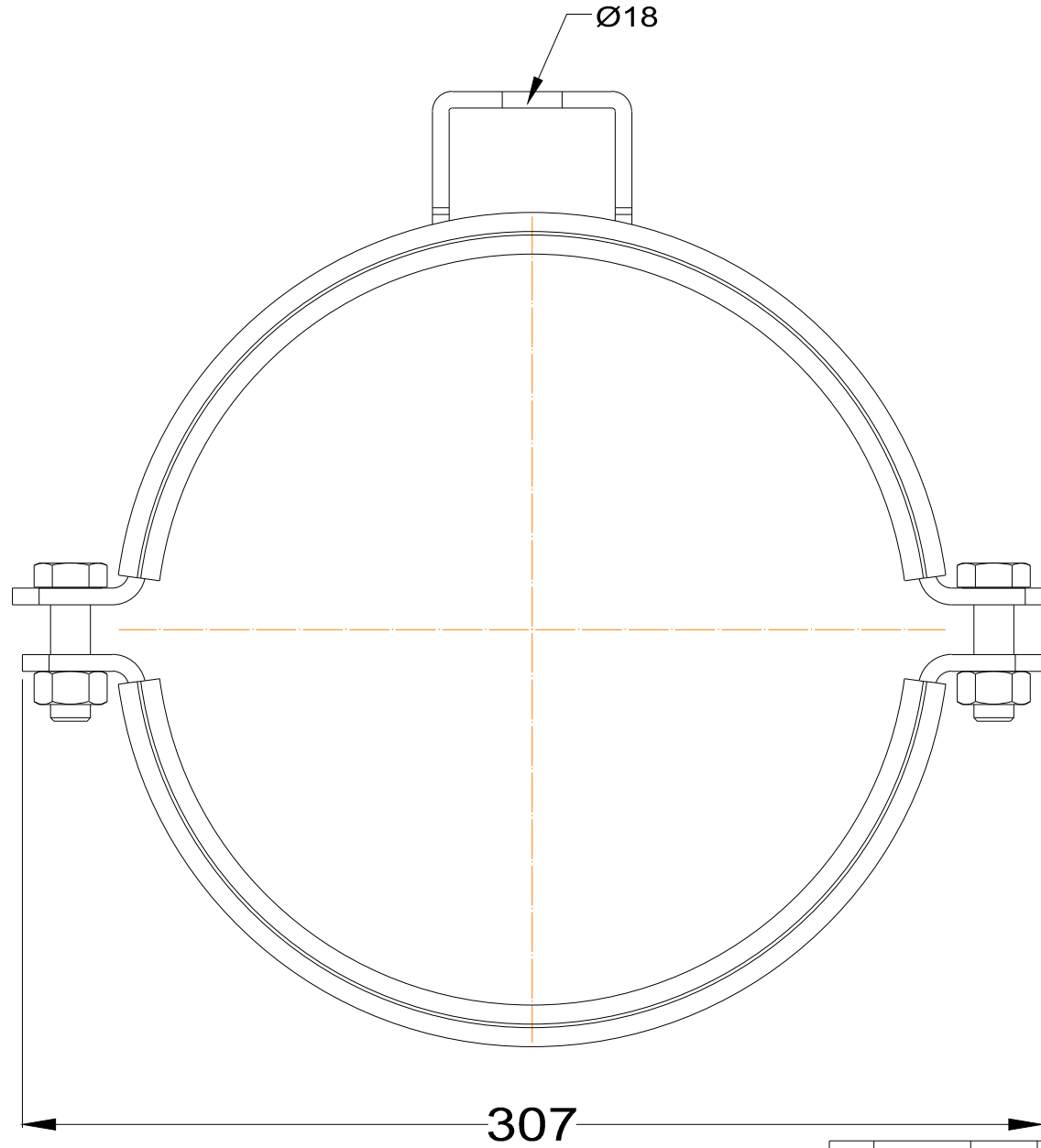
Boyutlar mm cinsindedir.
Dimensions are in mm.

| İSM / NAME | TARİH / DATE | İMZA / SIGNATURE | ÖLÇEK / SCALE | FORMAT | CAD SİSTEMİ / CAD SYSTEMS |
|----------------------|-----------------|------------------|---------------|--------|---------------------------|
| ÇİZEN / DRAWING BY | ALI BEŞİKTAŞ | 08.05.2020 | 1:1 | A3 | Cross Elements Direct |
| KONTROL / CHECKED BY | FLUAT TOPGÜL | 08.05.2020 | | | |
| YAYIN / PUBLISH BY | ALI KEMAL GİNEY | 08.05.2020 | | | |



LINK
Yapı ve Tesilat Mat. San. ve Tic. Ltd. Şti.
Gebze Organize Sanayi Bölgesi 1000. Sokak No: 1016 Çayırova / Kocaeli
Tel : +90 262 677 14 51
Faks : +90 262 751 33 23
Web : www.linkyapi.com.tr / E-mail : info@linkyapi.com.tr

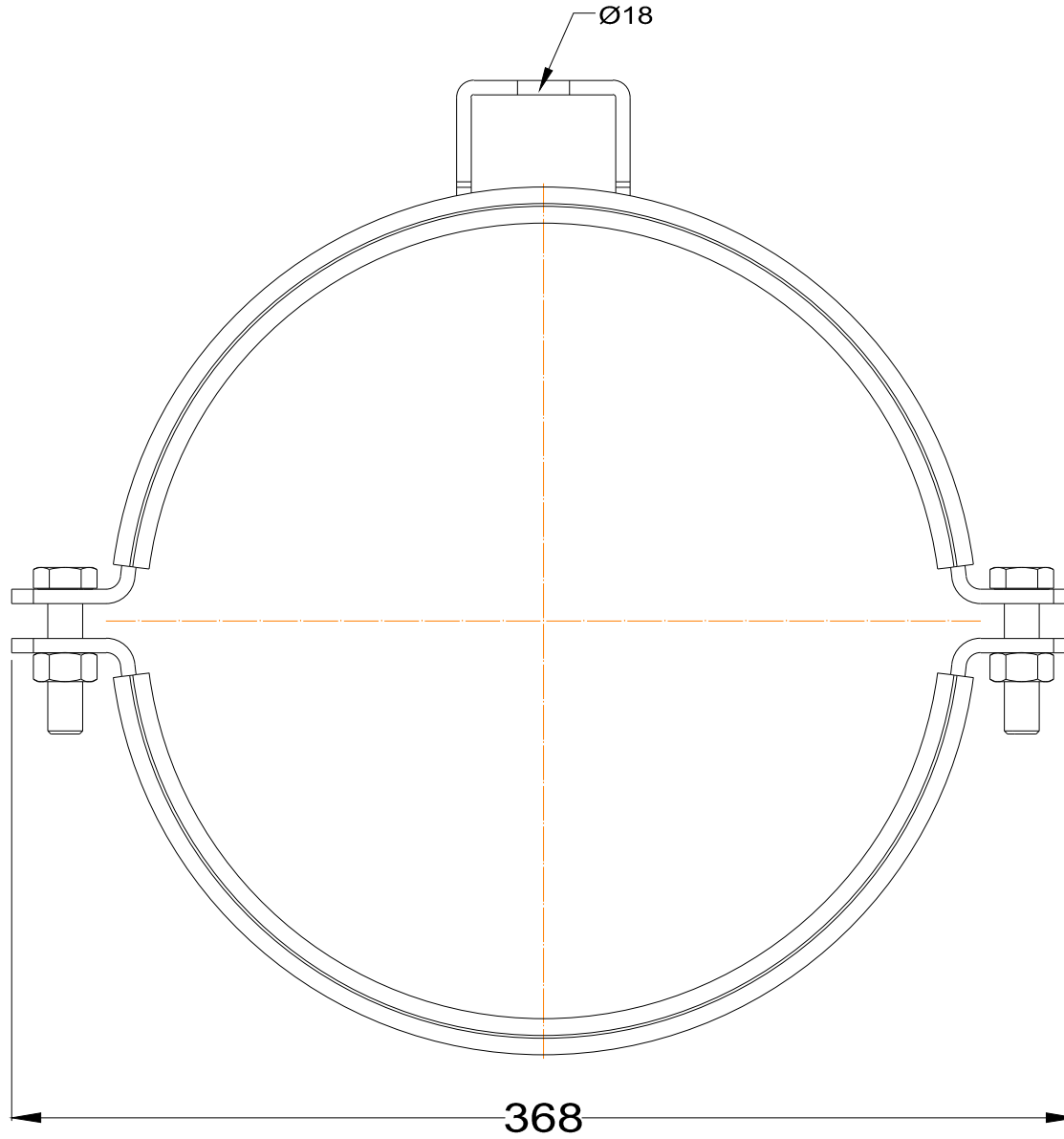
6" (164-168) - DN150-SDNA.2089
SDNA AĞIR YÜK KELEPÇESİ
SDNA HEAVY DUTY CLAMP

SHEET
1




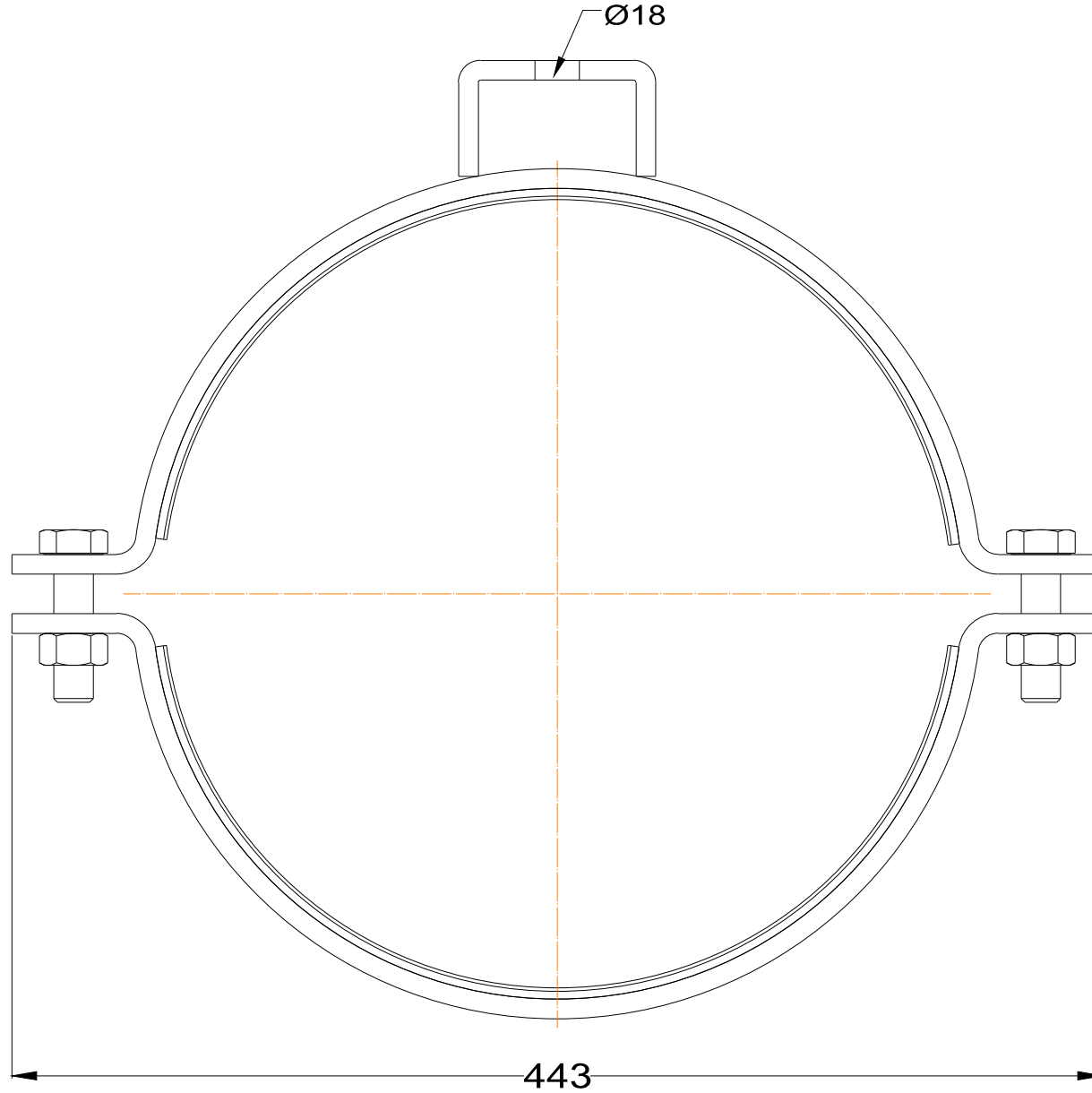
Boyutlar mm cinsindedir.
Dimensions are in mm.

| | İSM / NAME | TARİH / DATE | İMZA / SIGNATURE | ÖLÇEK / SCALE | FORMAT | CAD SİSTEMİ / CAD SYSTEMS |
|----------------------|-----------------|--------------|------------------|--------------------------------------------------------------------------------------------------------------------------------------------------------------------------------------------------------------------------------------------------|--------|---------------------------|
| ÇİZEN / DRAWING BY | ALİ BEŞİKTAŞ | 08.05.2020 | | 1:1 | A3 | Cross Elements Direct |
| KONTROL / CHECKED BY | FLUAT TOPGÜL | 08.05.2020 | | | | |
| YAYIN / PUBLISH BY | ALİ KEMAL GİNEY | 08.05.2020 | | | | |
| | | | |  | | |
| | | | |  | | |
| | | | | LINK Yapı ve Tesisat Malz. San. ve Tic. Ltd. Şti. Gebze Organize Sanayi Bölgesi 1000. Sokak No: 1016 Çayyova / Kocaeli Tel : +90 262 677 14 51 Faks : +90 262 751 33 23 Web : www.linkyapi.com.tr / E-mail : info@linkyapi.com.tr | | |
| | | | | 8" (215-230) - DN200-SDNA.2000 SDNA AĞIR YÜK KELEPÇESİ SDNA HEAVY DUTY CLAMP | | SHEET 1 |





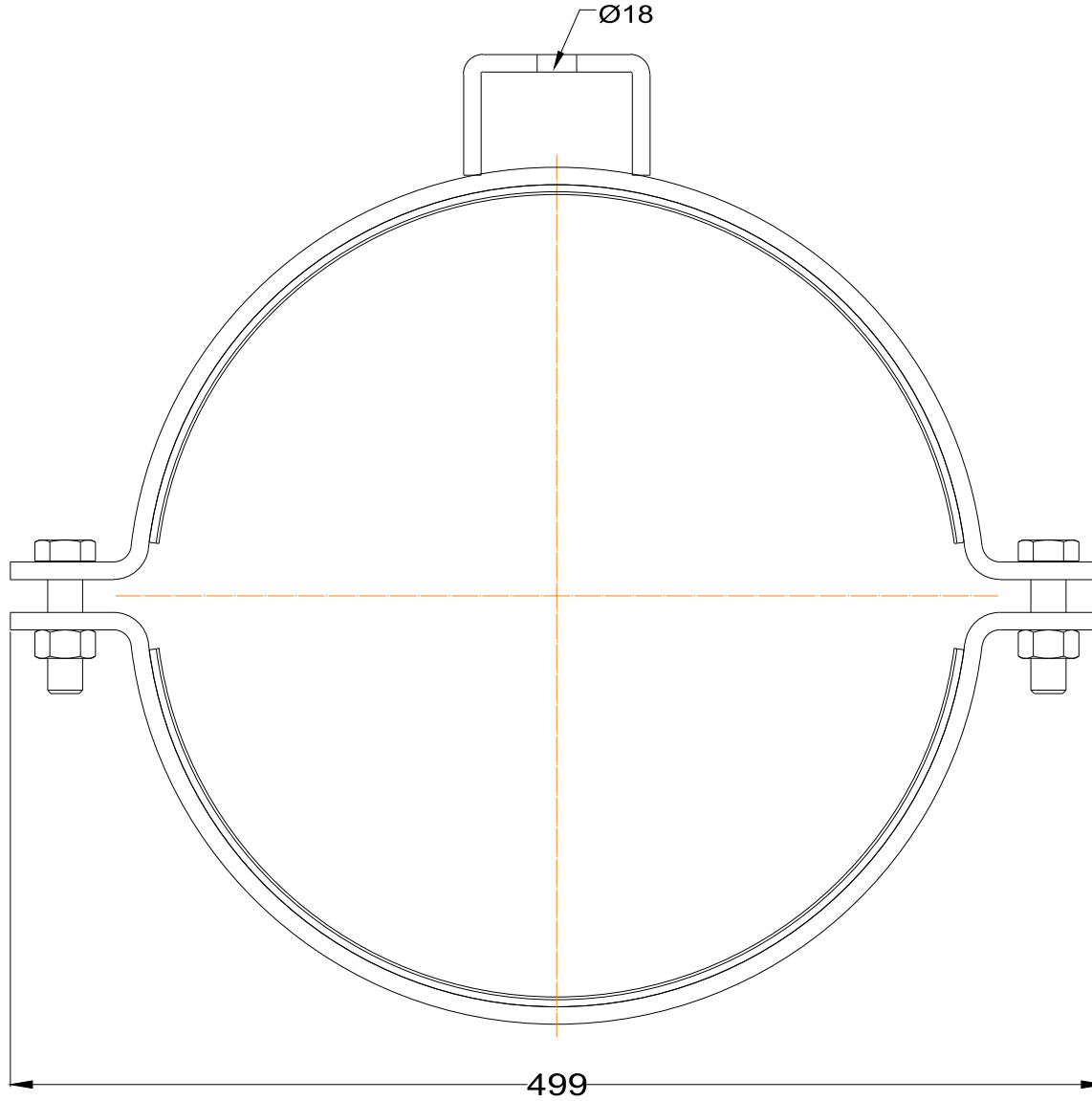
Boyutlar mm cinsindedir.
Dimensions are in mm.

| İSİM / NAME | TARİH / DATE | İMZA / SIGNATURE | ÖLÇEK / SCALE | FORMAT | CAD SİSTEMİ / CAD SYSTEMS |
|-------------------------------------------------------------------------------------|-----------------|------------------|----------------------------------------------------------------------------------------------------------------------------------------------------------------------------------------------------------------------------------------------------------------------------------------------------------------------------------------------------|--------|---------------------------|
| ÇİZEN / DRAWING BY | ALI BİŞİKTAŞ | 08.05.2020 | 1:1 | A3 | Cross Elements Direct |
| KONTROL / CHECKED BY | FLUAT TOPGÜL | 08.05.2020 | | | |
| YAYIN / PUBLISH BY | ALI KEMAL GİNEY | 08.05.2020 | | | |
| | | |  <p>LINK Yapı ve Teslat Malz. San. ve Tic. Ltd. Şti. Gebze Organize Sanayi Bölgesi 1000. Sokak No: 1016 Çayırova / Kocaeli Tel : +90 262 677 14 51 Faks : +90 262 751 33 23 Web : www.linkyapi.com.tr / E-mail : info@linkyapi.com.tr</p> | | |
| 10" (265-280) - DN250-SDNA.2091 SDNA AĞIR YÜK KELEPÇESİ SDNA HEAVY DUTY CLAMP | | | | | SHEET 1 |





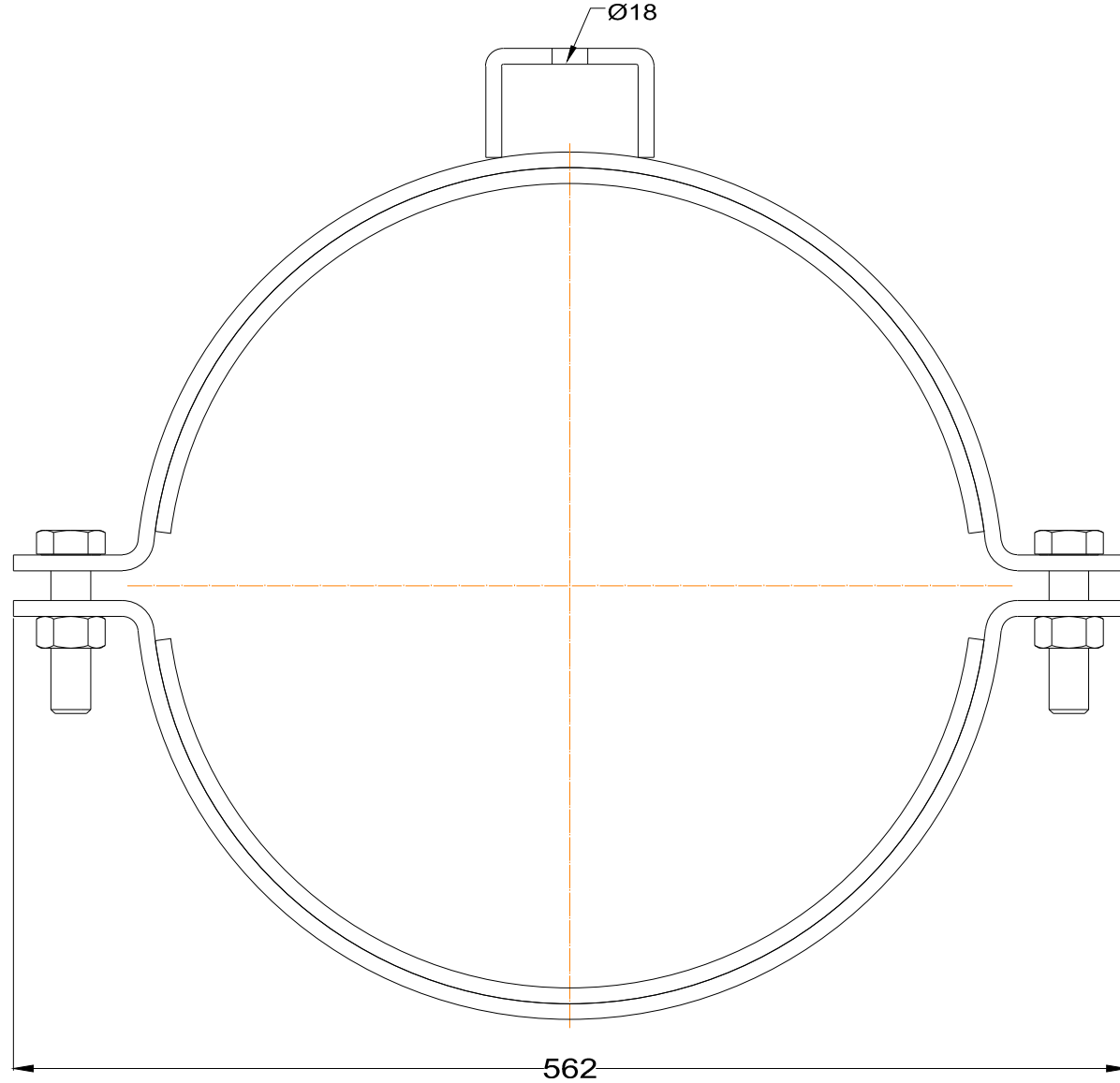
Boyutlar mm cinsindedir.
Dimensions are in mm.

| | İSM / NAME | TARİH / DATE | İMZA / SIGNATURE | ÖLÇEK / SCALE | FORMAT | CAD SİSTEMİ / CAD SYSTEMS |
|----------------------|-----------------|--------------|------------------|--------------------------------------------------------------------------------------------------------------------------------------------------------------------------------------------------------------------------------------------------|--------|---------------------------|
| ÇİZEN / DRAWN BY | ALİ BEŞİKTAŞ | 08.05.2020 | | 1:1 | A3 | Cross Elements Direct |
| KONTROL / CHECKED BY | FLUAT TOPGÜL | 08.05.2020 | | | | |
| YAYIN / PUBLISH BY | ALİ KEMAL GİNEY | 08.05.2020 | | | | |
| | | | |  | | |
| | | | |  | | |
| | | | | LINK Yapı ve Tesilat Malz. San. ve Tic. Ltd. Şti. Gebze Organize Sanayi Bölgesi 1000. Sokak No: 1016 Çayyova / Kocaeli Tel : +90 262 677 14 51 Faks : +90 262 751 33 23 Web : www.linkyapi.com.tr / E-mail : info@linkyapi.com.tr | | |
| | | | | 12" (310-325) - DN300-SDNA.2092 SDNA AĞIR YÜK KELEPÇESİ SDNA HEAVY DUTY CLAMP | | SHEET 1 |





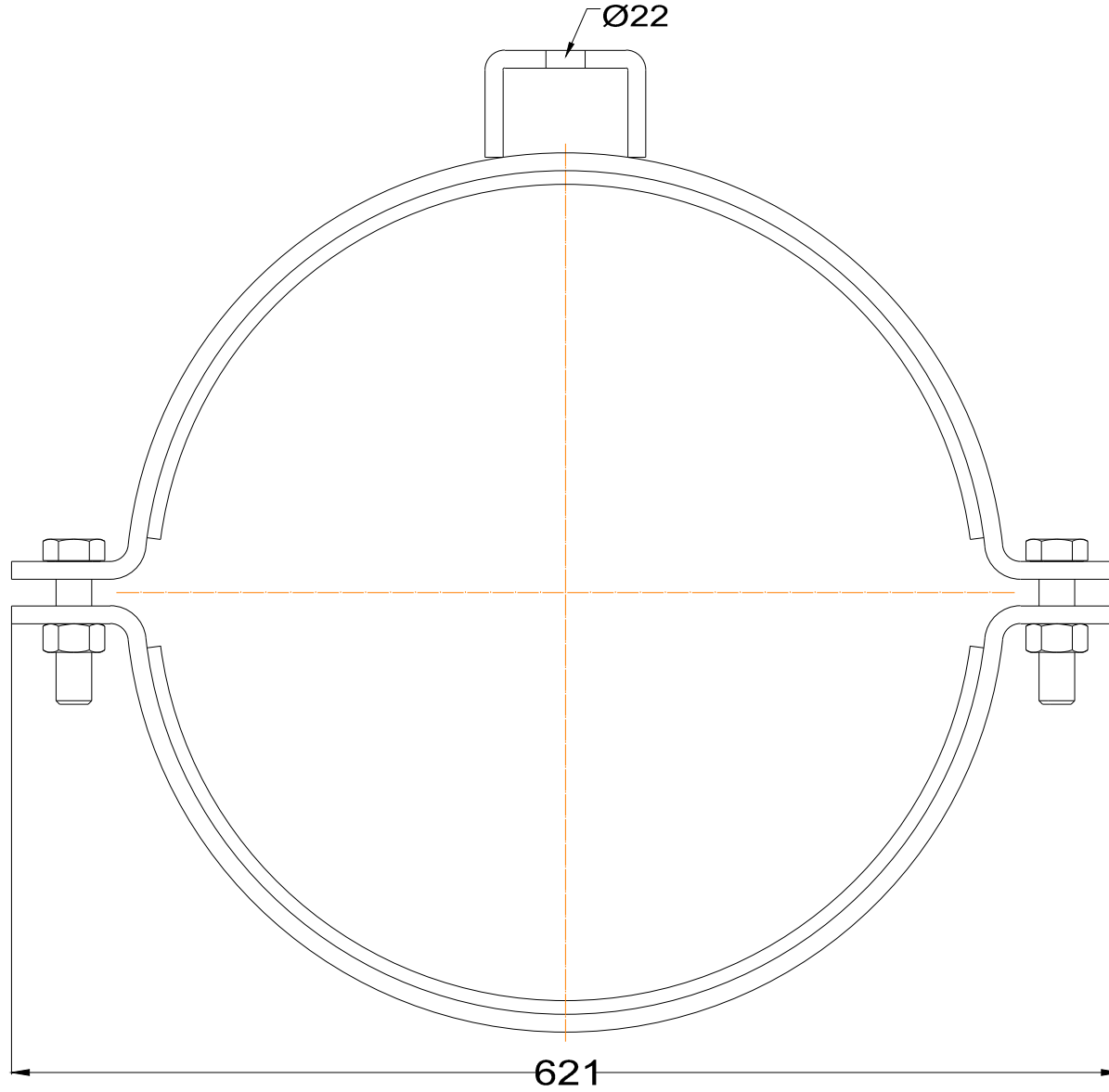
Boyutlar mm cinsindedir.
Dimensions are in mm.

| | İSM / NAME | TARİH / DATE | İMZA / SIGNATURE | ÖLÇEK / SCALE | FORMAT | CAD SİSTEMİ / CAD SYSTEMS |
|---------------------------------|-----------------|--------------|------------------|--------------------------------------------------------------------------------------------------------------------------------------------------------------------------------------------------------------------------------------------------|--------|---------------------------|
| ÇİZEN / DRAWING BY | ALİ BEŞİKTAŞ | 08.05.2020 | | 1:1 | A3 | Cross Elements Direct |
| KONTROL / CHECKED BY | FLUAT TOPGÜL | 08.05.2020 | | | | |
| YENİ / REVİZYONERİ / REVISED BY | ALİ KEMAL GİNEY | 08.05.2020 | | | | |
| | | | |  | | |
| | | | |  | | |
| | | | | LINK Yapı ve Tesisat Malz. San. ve Tic. Ltd. Şti. Gebze Organize Sanayi Bölgesi 1000. Sokak No: 1016 Çayyova / Kocaeli Tel : +90 262 677 14 51 Faks : +90 262 751 33 23 Web : www.linkyapi.com.tr / E-mail : info@linkyapi.com.tr | | |
| | | | | 14" (350-365) - DN1350-SDNA.2093 SDNA AĞIR YÜK KELEPÇESİ SDNA HEAVY DUTY CLAMP | | SHEET 1 |





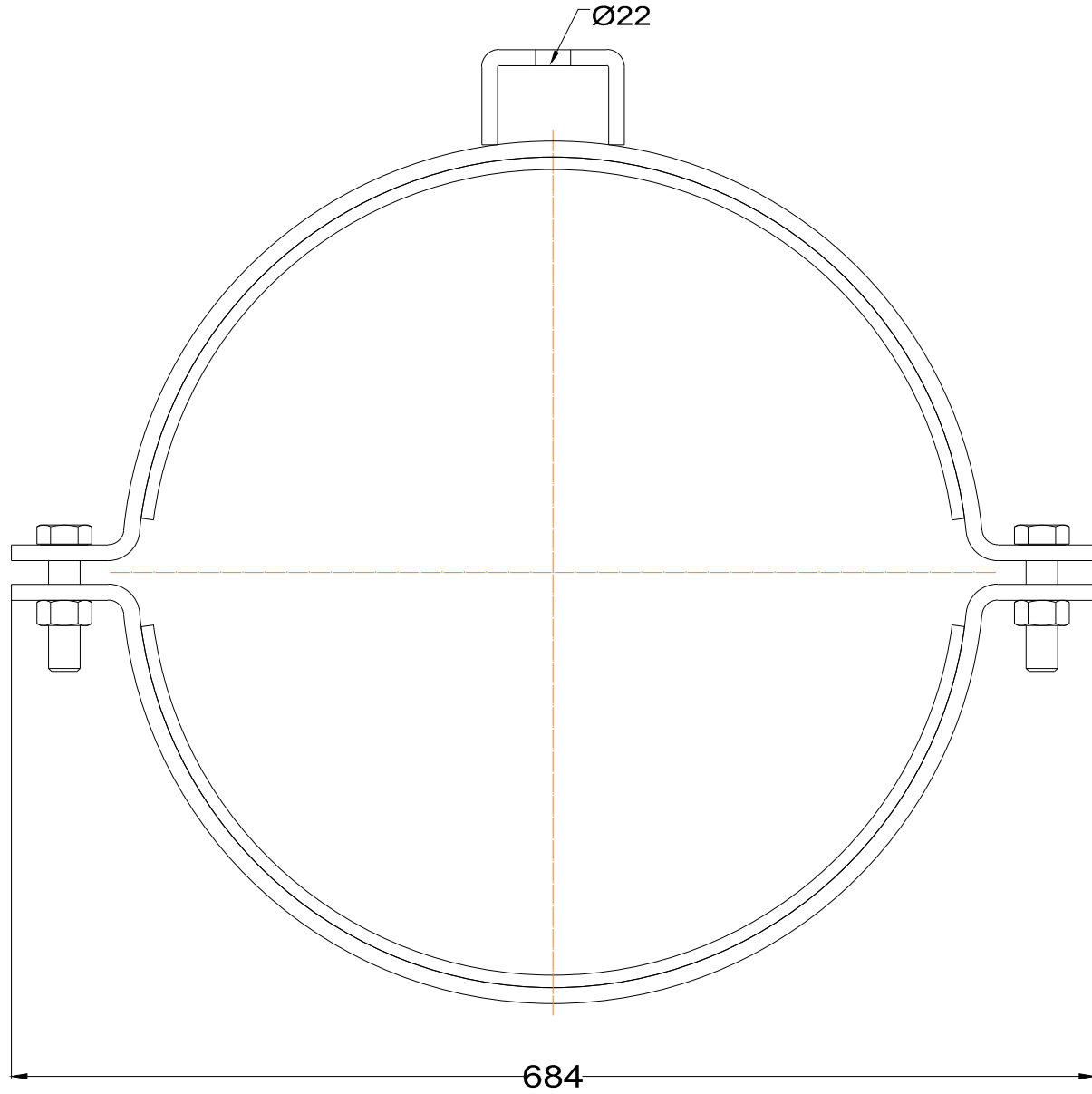
**Boyutlar mm cinsindedir.
Dimensions are in mm.**

| | İSM / NAME | TARİH / DATE | İMZA / SIGNATURE | OLÇEK / SCALE | FORMAT | CAD SİSTEMİ / CAD SYSTEMS |
|----------------------|-----------------|--------------|------------------|--------------------------------------------------------------------------------------------------------------------------------------------------------------------------------------------------------------------------------------------------|--------|---------------------------|
| ÇİZEN / DRAWING BY | ALİ BEŞİKTAŞ | 08.05.2020 | | 1:1 | A3 | Cross Elements Direct |
| KONTROL / CHECKED BY | FLUAT TOPGÜL | 08.05.2020 | | | | |
| YAYIN / PUBLISH BY | ALİ KEMAL GİNEY | 08.05.2020 | | | | |
| | | | |  | | |
| | | | |  | | |
| | | | | LINK Yapı ve Tesisat Malz. San. ve Tic. Ltd. Şti. Gebze Organize Sanayi Bölgesi 1000. Sokak No: 1016 Çayyova / Kocaeli Tel : +90 262 677 14 51 Faks : +90 262 751 33 23 Web : www.linkyapi.com.tr / E-mail : info@linkyapi.com.tr | | |
| | | | | 16" (406-415) - DN400-SDNA.2094 SDNA AĞIR YÜK KELEPÇESİ SDNA HEAVY DUTY CLAMP | | SHEET 1 |





Boyutlar mm cinsindedir.
Dimensions are in mm.

| | İSM / NAME | TARİH / DATE | İMZA / SIGNATURE | ÖLÇEK / SCALE | FORMAT | CAD SİSTEMİ / CAD SYSTEMS |
|----------------------|-----------------|--------------|------------------|--------------------------------------------------------------------------------------------------------------------------------------------------------------------------------------------------------------------------------------------------|--------|---------------------------|
| ÇİZEN / DRAWING BY | ALİ BEŞİKTAŞ | 08.05.2020 | | 1:1 | A3 | Cross Elements Direct |
| KONTROL / CHECKED BY | FLUAT TOPGÜL | 08.05.2020 | | | | |
| YAYIN / PUBLISH BY | ALİ KEMAL GİNEY | 08.05.2020 | | | | |
| | | | |  | | |
| | | | |  | | |
| | | | | LINK Yapı ve Tesisat Malz. San. ve Tic. Ltd. Şti. Gebze Organize Sanayi Bölgesi 1000. Sokak No: 1016 Çayyova / Kocaeli Tel : +90 262 677 14 51 Faks : +90 262 751 33 23 Web : www.linkyapi.com.tr / E-mail : info@linkyapi.com.tr | | |
| | | | | 18' (445-460) - DN450-SDNA.2095 SDNA AĞIR YÜK KELEPÇESİ SDNA HEAVY DUTY CLAMP | | SHEET 1 |



**Boyutlar mm cinsindedir.
Dimensions are in mm.**

| | İSM / NAME | TARİH / DATE | İMZA / SIGNATURE | ÖLÇEK / SCALE | FORMAT | CAD SİSTEMİ / CAD SYSTEMS |
|----------------------|-----------------|--------------|------------------|--------------------------------------------------------------------------------------------------------------------------------------------------------------------------------------------------------------------------------------------------|--------|---------------------------|
| ÇİZEN / DRAWING BY | ALİ BEŞİKTAŞ | 08.05.2020 | | 1:1 | A3 | Cross Elements Direct |
| KONTROL / CHECKED BY | FLUAT TOPGÜL | 08.05.2020 | | | | |
| YAYIN / PUBLISH BY | ALİ KEMAL GİNEY | 08.05.2020 | | | | |
| | | | |  | | |
| | | | |  | | |
| | | | | LINK Yapı ve Teslat Malz. San. ve Tic. Ltd. Şti. Gebze Organize Sanayi Bölgesi 1000. Sokak No: 1016 Çayirova / Kocaeli Tel : +90 262 677 14 51 Faks : +90 262 751 33 23 Web : www.linkyapi.com.tr / E-mail : info@linkyapi.com.tr | | |
| | | | | 20' (500-515) - DN500-SDNA.2006 SDNA AĞIR YÜK KELEPÇESİ SDNA HEAVY DUTY CLAMP | | SHEET 1 |